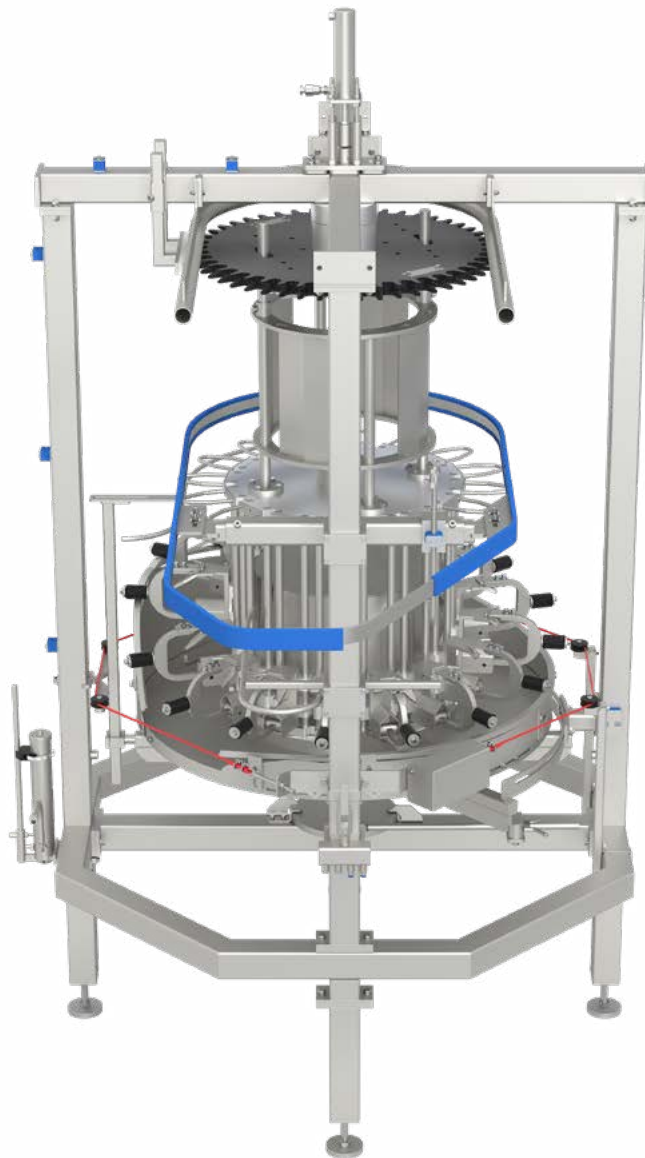


The Foodmate Automatic Opener provides an adjustable opening cut from the vent to the breast of the bird that can be used for various types of poultry. This ensures a perfect cut in the abdomen to create access for the eviscerating units. This clean cut provides no yield loss and no damage to the intestines, thus avoiding contamination. Cleaning of the opening units after each cycle will also

prevent contamination. The machine is stainless steel and food approved nylon constructed. It allows for adjustable infeed timing and height adjustments for different weight. The cutting length can also be changed by an adjustable curve system. The machine needs to be hooked up to the main water supply and is driven by an overhead conveyor system.



AUTOMATIC OPENER

Key Benefit:

- Allows for a maximum of 9,000 birds per hour

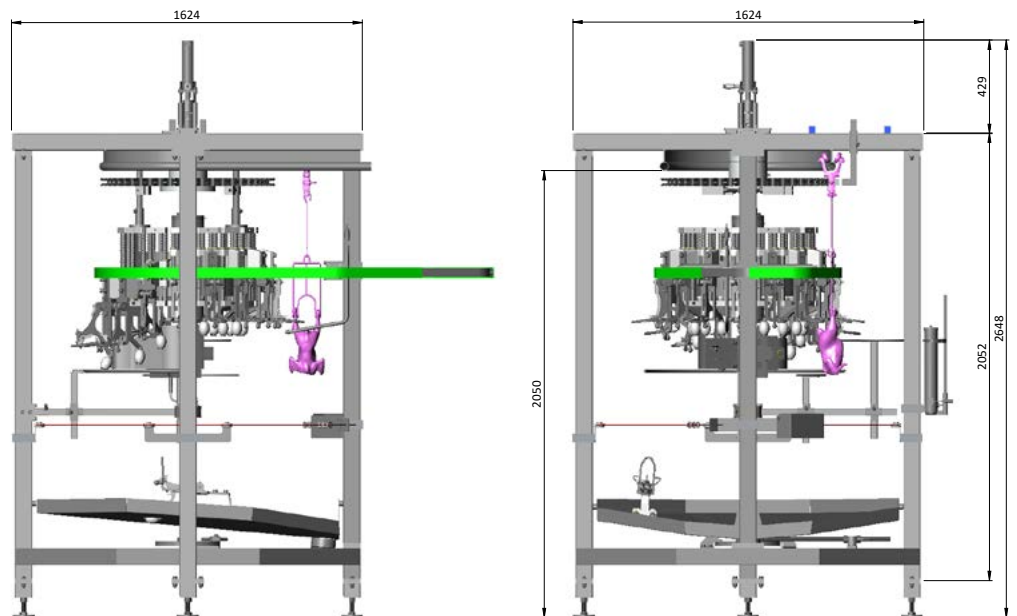
Foodmate is an equipment manufacturing company based in the Netherlands. Founded in 2006, we focus primarily on poultry processing, and we recently launched Foodmate US, expanding our worldwide distribution into North America. Driven by research, paired with unmatched knowledge and decades of experience, it's our mission to innovate, automate and bring cost-effective solutions to the industry.

Our product line spans a wide assortment of processing equipment designed for live bird handling, killing and defeathering, eviscerating, chilling, weighing, cut-up systems, deboning, and more. In addition to manufacturing, we provide an extensive variety of spare parts and service for other processing equipment and reconditioned machines.

Our team represents decades of industry knowledge and experience resulting in the engineering, development and implementation of new designs for our clients and their ever-changing needs.

Technical Specifications:

- Stainless steel frame
- Units: 16
- Pitch: 6" or 8"
- Rotation: CW/CCW
- Conveyor type:
 - Pipe
 - T-track
- Machine dimensions:
 - Length: 1624 mm
 - Width: 1624 mm
 - Height: 2648 mm
 - Weight: approx. 597 kg



FOODMATE B.V.
The Netherlands
Phone: +31 186 630 240
info@foodmate.nl • www.foodmate.nl

FOODMATE POLSKA
Poland
Phone: +48 601 270 015
poland@foodmate.nl • www.foodmate.pl

FOODMATE US
U.S.A.
Phone: +1 678 819 5270
info@foodmateusa.com • www.foodmateus.com

FOODMATE BRASIL
Brasil
Phone: +55 19 3308 7768
foodmatebrasil@foodmate.br.com • www.foodmate.nl


foodmate

FOODMATE UK LTD
United Kingdom
Phone: +44 33330 11110
info@foodmate.uk • www.foodmate.uk